



ESCALATORS & MOVING WALKS

TECHNICAL DRAWINGS



-  Altivate
Commercial Passenger Lifts
-  Altivate Home
Domestic Passenger Lifts
-  Altivate Interior
Lift Interiors
-  Altivate Renew
Lift Modernisation
-  Altivate Rise
Goods Only / Service Lifts
-  Altivate Mobility
Wheelchair / Access Lifts
-  Altivate Move
Escalators / Moving Walks
-  Altivate Park
Car Stackers
-  Altivate Design
Design / Consult
-  Altivate Action
Service / Repair / Maintain

Concept to Completion

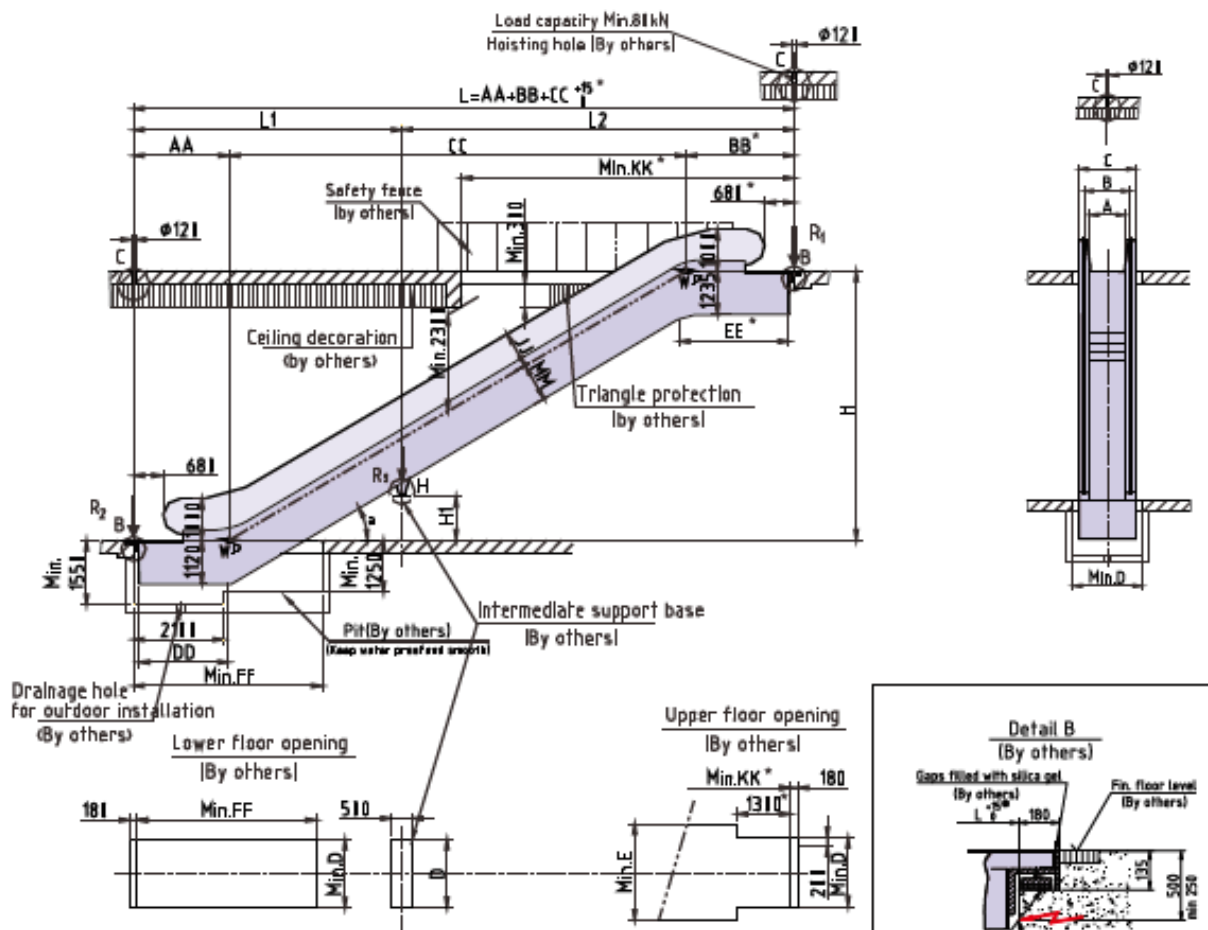
Flexibility in Design & Personalised Service

Contents

Escalators.....	3
Standard – Commercial Use.....	3
Weatherproof – Public Services.....	4
Moving Walks.....	5
Inclined Transition – Commercial.....	5
Flat Transition – Commercial.....	6
Horizontal – Commercial.....	7



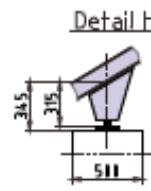
WEATHERPOOF – PUBLIC SERVICES



	For inclined balustrade			For slim-vertical balustrade		
	A	B	C	A	B	C
600	600	800	1000	600	800	1000
800	910	1110	1310	837	1037	1273
1000	1195	1395	1595	1195	1395	1595
	1270	1470	1670	1270	1470	1670
	1790	1990	2190	1790	1990	2190

A	Reaction Force (KN)	
	Wo intermediate support	With one intermediate support
600	$R1=4.05 \times L + 16.3$	$R1=4.05 \times L2 + 14$
	$R2=4.05 \times L + 8.5$	$R2=4.05 \times L1 + 7$
		$R3=4.2 \times L + 10$
800	$R1=4.45 \times L + 17$	$R1=4.45 \times L2 + 16$
	$R2=4.45 \times L + 9.5$	$R2=4.45 \times L1 + 7.5$
		$R3=4.7 \times L + 11$
1000	$R1=4.95 \times L + 19.5$	$R1=4.95 \times L2 + 17.2$
	$R2=4.95 \times L + 10.5$	$R2=4.95 \times L1 + 8.3$
		$R3=5.2 \times L + 11.3$

Note: 1. L, L1 and L2 is in meter
2. L1 and L2 do not exceed 15m.



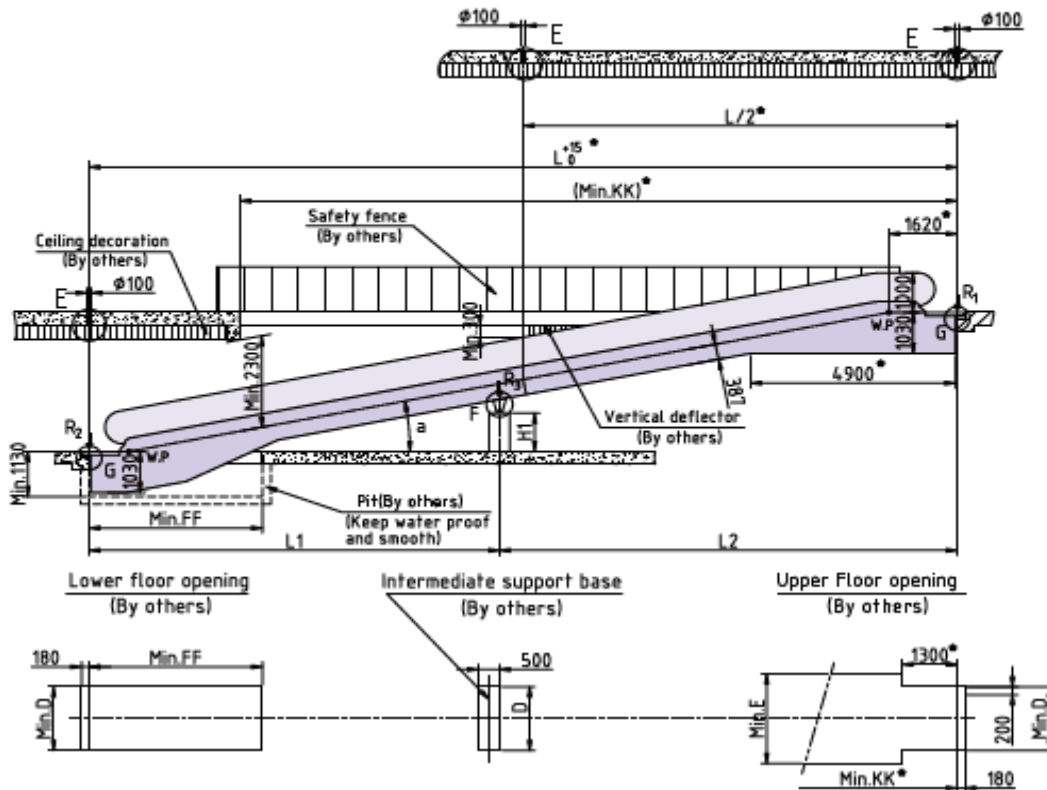
NOTE:

- Height above sea level
Height above sea level of the placed escalators shall be no greater than 1000m. In case of particular, please contact SJEC.
- If one of the following situations is met, the dimensions with mark shall be extended 500mm
(1) 600 mm step.
(2) double drive.
(3) VVVF.
- Client shall provide the intermediate base which can be made by reinforced concrete or metallic structure in right position in case of horizontal distance L over 15 m.
- The requirements of escalators and building interfaces in Figure 1–Figure 5 accord with the national standards (EN115-1:2008+A1:2010). If doubt, please contact SJEC.
- V: Inclined Balustrade
T: Vertical Balustrade

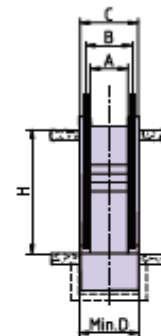
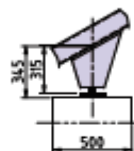
Type	a	Upper radius	AA	BB	CC	DD	EE	FF	JJ (for inclined balustrade)	JJ (for vertical balustrade)	MM	KK
FEH302	30	1500	2231	2598	Hx1.732	2370	2815	4530	870	870	1060	8000
FEH303	30	1500	2631	2998	Hx1.732	2770	3215	4930	870	870	1060	8400
FEH352	35	1500	2268	2682	Hx1.428	2505	2790	4420	850	850	1080	7200
FEH233	23.2	2700	2898	3220	Hx2.333	2885	3730	5700	901	919	1040	10200
FEH234	23.2	2700	3298	3620	Hx2.333	3285	4130	6100	901	919	1040	10600
FEH273	27.3	2700	2945	3350	Hx1.938	3047	3613	5450	882	900	1060	8800
FEH274	27.3	2700	3345	3750	Hx1.938	3447	4013	5850	882	900	1060	9200
FEH303	30	2700	2863	3283	Hx1.732	3000	3500	5160	870	870	1060	8800
FEH304	30	2700	3263	3683	Hx1.732	3400	3900	5560	870	870	1060	9200

MOVING WALKS

INCLINED TRANSITION – COMMERCIAL



Detail F



A	800	1000
B	1037	1237
C	1345	1545
D	1400	1600
E	1920	2120

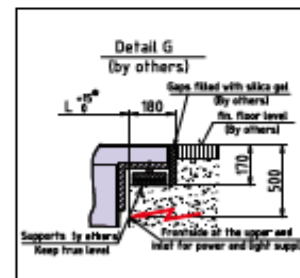
Type	A	L	KK	FF
FET10	10°	H×5.671+2650	17700	4250
FET11	11°	H×5.145+2555	16700	4150
FET12	12°	H×4.705+2475	15800	4000

NOTE:

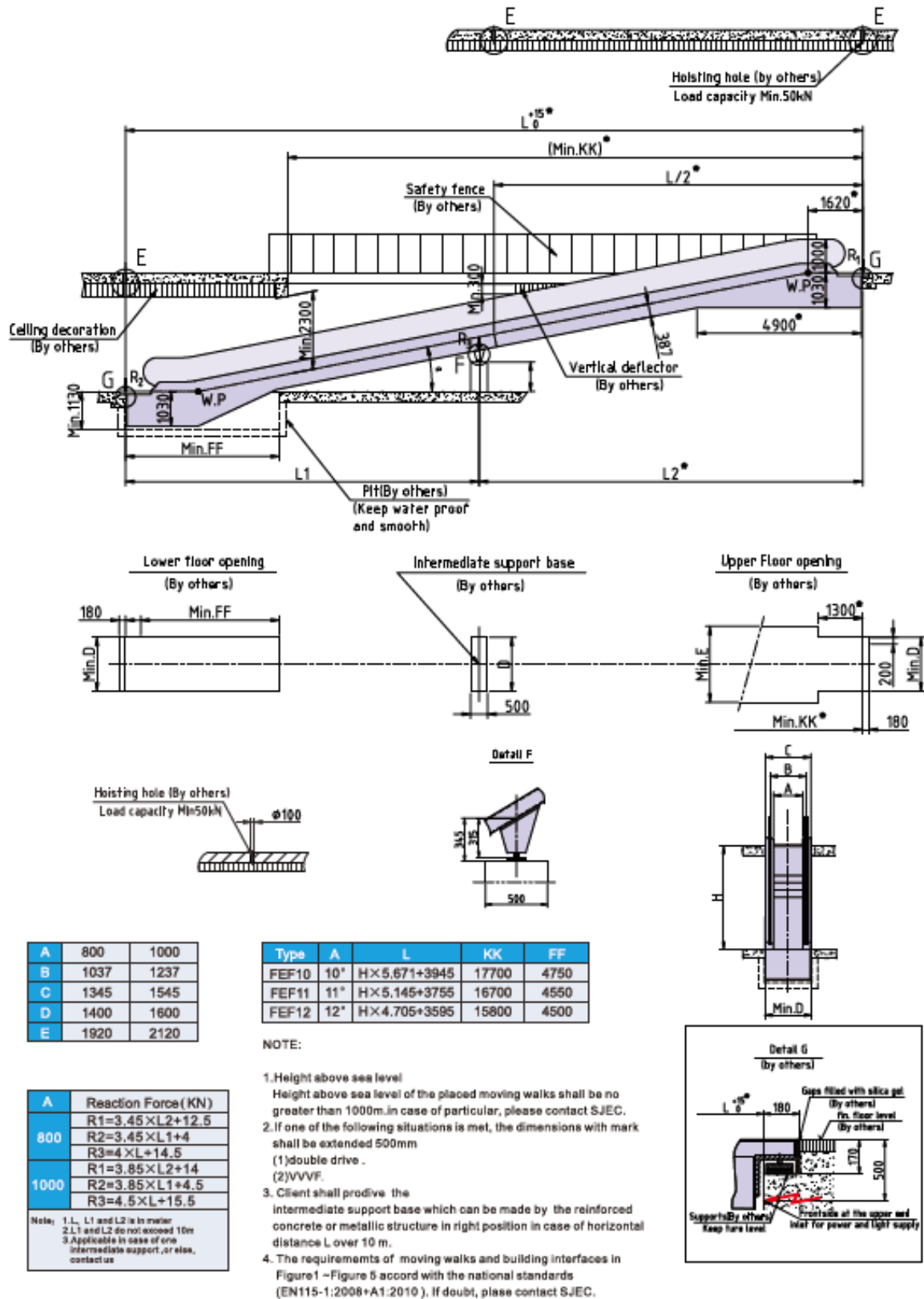
- Height above sea level
Height above sea level of the placed moving walks shall be no greater than 1000m. In case of particular, please contact SJEC.
- If one of the following situations is met, the dimensions with mark shall be extended 500mm
(1) double drive.
(2) VVVF.
- Client shall provide the intermediate support base which can be made by the reinforced concrete or metallic structure in right position in case of horizontal distance L over 10 m.
- The requirements of moving walks and building interfaces in Figure 1 – Figure 5 accord with the national standards (EN115-1:2008+A1:2010). If doubt, please contact SJEC.

A	Reaction Force (KN)
800	R1=3.45×L2+12.5
	R2=3.45×L1+4
1000	R3=4×L+14.5
	R1=3.85×L2+14
	R2=3.85×L1+4.5
	R3=4.5×L+15.5

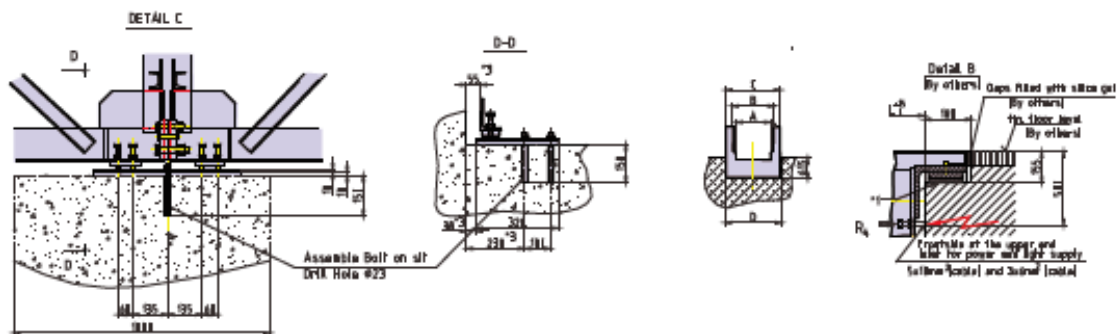
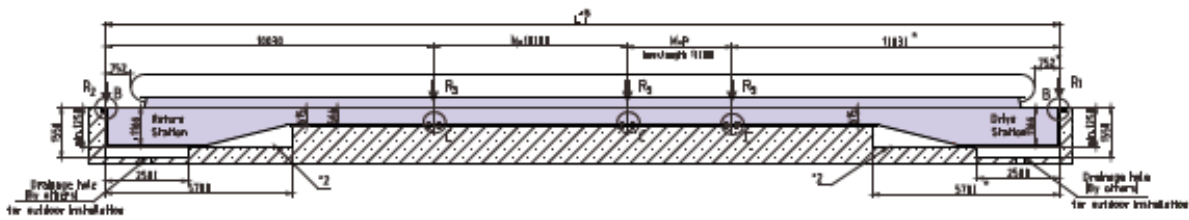
Note: 1. L, L1 and L2 is in meter
2. L1 and L2 do not exceed 10m
3. Applicable in case of one intermediate support or site, contact us



FLAT TRANSITION – COMMERCIAL



HORIZONTAL – COMMERCIAL



Inclined balustrade

A	1000	1200	1400
B	1310	1510	1710
C	1595	1795	1995
D	1670	1870	2070

Vertical balustrade

A	1000	1200	1400
B	1237	1437	1637
C	1595	1795	1995
D	1670	1870	2070

A	1000	1200	1400
Reaction Force (kN)			
R1	55	64	73
R2	53	61	69
R3	90	110	125
R4	5	5	5

Note:

1.Mark:

- ① Mark*1: Supports need to be in true level
- ② Mark*2: If there is pit, pit need to be water proof and smooth
- ③ Mark*3: If dimension D is changed, the dimension marked should be adjusted

2. According to EN115, the entrance of both landing must have enough area to facilitate the traffic flow

3. Dimensions with mark* should be extended 500mm in case VVVF or double drive

4. All dimensions refer to finished dimension are in mm.